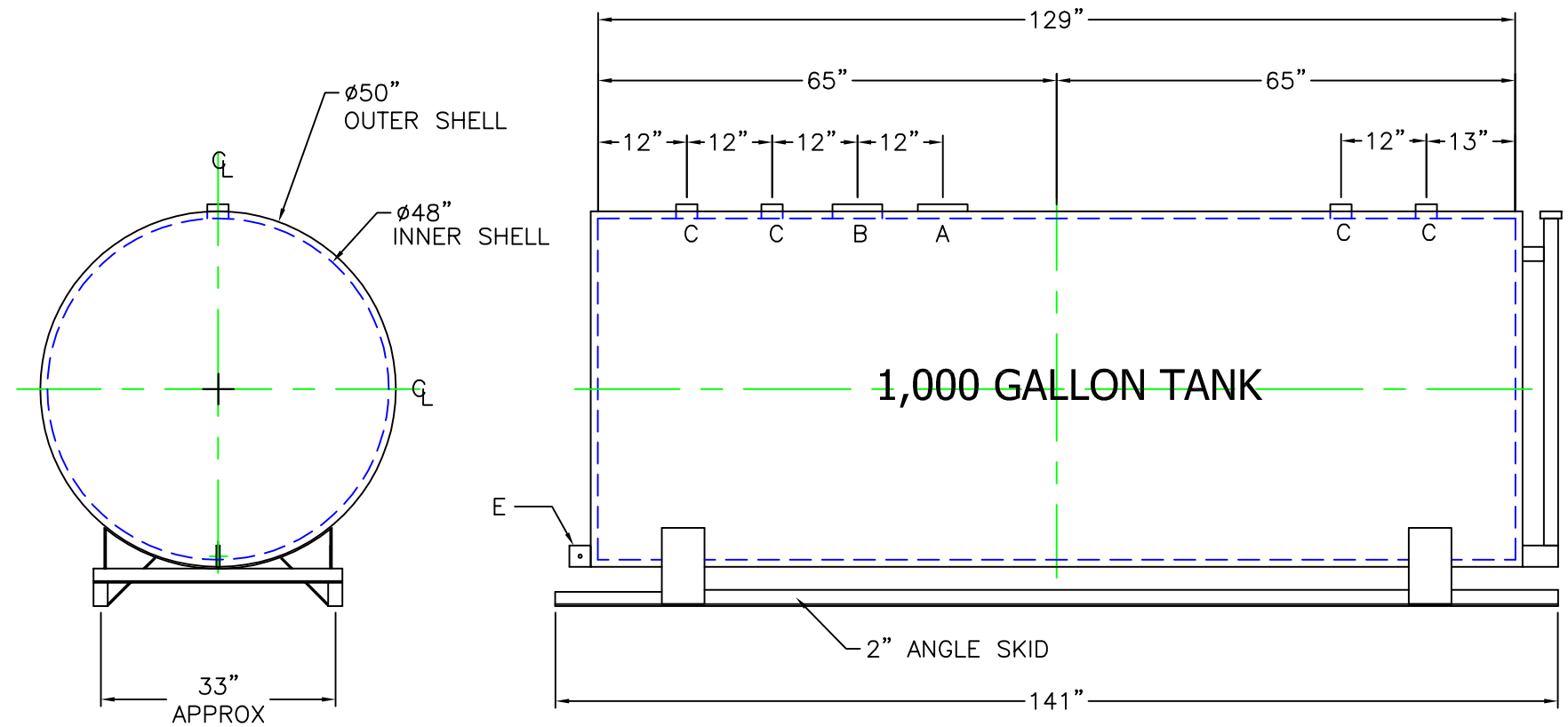
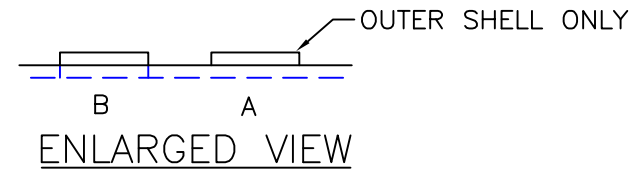


DESIGN DATA

CAPACITY: 1,000 GALLONS
 TYPE: DOUBLE WALL
 NO. REQ.
 OPER PRESS: ATMOSPHERIC
 TANK MAT'L: MILD CARBON STEEL
 THICKNESS: INNER HEADS 10 GA SHELL
 OUTER HEADS: 10 GA SHELL
 CONSTR: INNER - LAP WELD OUTSIDE ONLY
 OUTER - LAP WELD OUTSIDE ONLY
 TANK TEST: INNER - 5 PSIG
 OUTER - 2 PSIG AND FULL VACUUM
 INT. FINISH: NONE
 EXT. FINISH: SHOP PRIMER
 LABEL: UL 142



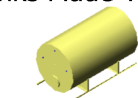
LEGEND

- A 6" FITTING THROUGH OUTER SHELL ONLY
 MARK WITH SPECIAL WARNING LABEL -
 INTERSTITIAL EMERGENCY VENT USE ONLY
- B 6" FITTING - PRIMARY EMERGENCY VENT USE
- C 2" FITTING
- D 2" INTERSTITIAL MONITOR PIPE
- E 3" x 3" PLATE w/ 1/2"Ø (MIN.) HOLE ON
 CENTER (GROUNDING LUG-ONE REQ'D)

REV	DATE	DRN	DESCRIPTION	CHK	APPR
B	03/23/11	PHA	PRELIMINARY		

THIS DRAWING IS THE EXCLUSIVE PROPERTY OF SPECIALTY TANK AND WELDING CO., INC. INCLUDING ALL PATENTED AND PATENTABLE FEATURES AND/OR CONFIDENTIAL INFORMATION. ITS USE IS CONDITIONED UPON THE USER'S AGREEMENT NOT TO REPRODUCE THE DRAWING IN WHOLE OR IN PART, NOR THE MATERIAL DESCRIBED THEREON, NOR TO USE THE DRAWING FOR ANY PURPOSE OTHER THAN AS SPECIFICALLY PERMITTED, IN WRITING, BY SPECIALTY TANK AND WELDING CO., INC..

"Tanks Made To Order"



P.O. Box L-103
 Langhorne, PA 19047
 215-949-2939
 FAX 215-949-9699

Specialty Tank and Welding Co., Inc.			
PRODUCT		1,000 GALLON TANK	
CUSTOMER		.	
SCALE: 1/2"=1'-0"	DATE: 03/10/11	DRN BY: PHA	B-1000 GAL TANK
			B